



# 8 CHANNEL SCANNER

MSU-1248

## APPLICATIONS

Pharma & Chemical Industry application

---

Generator  
Monitoring & Protection

---

Remote terminal unit (RTU) For SCADA

---

Compressor/Pump/DG set monitoring

---

Machine Condition Monitoring

---

As a distributed I/O module  
for interface with PLC/DCS/SCADA

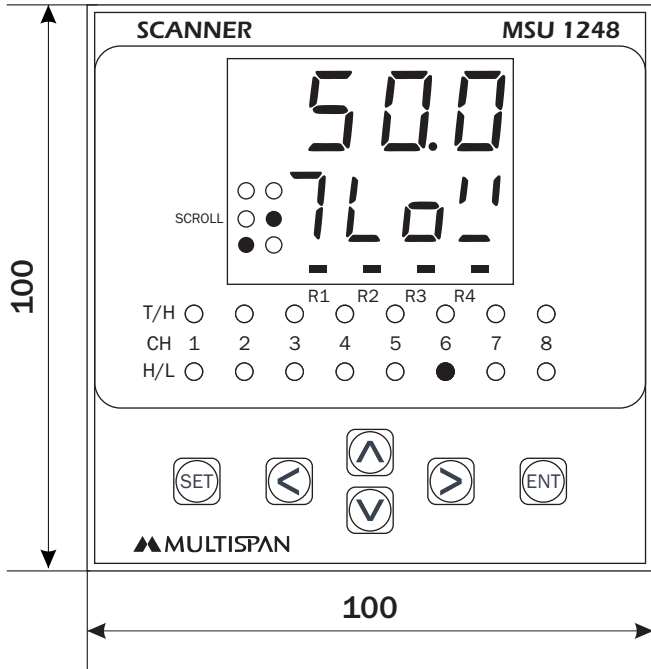
---

Laboratory Equipment Monitoring

---

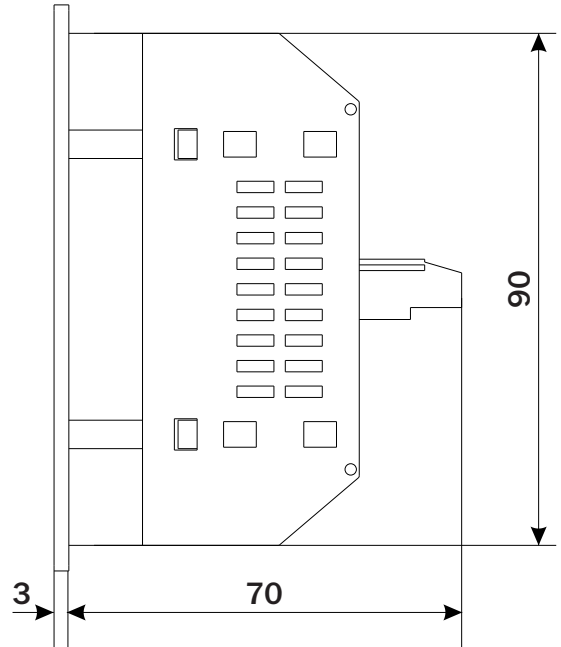
# Mechanical Dimensions

## Body Dimensions



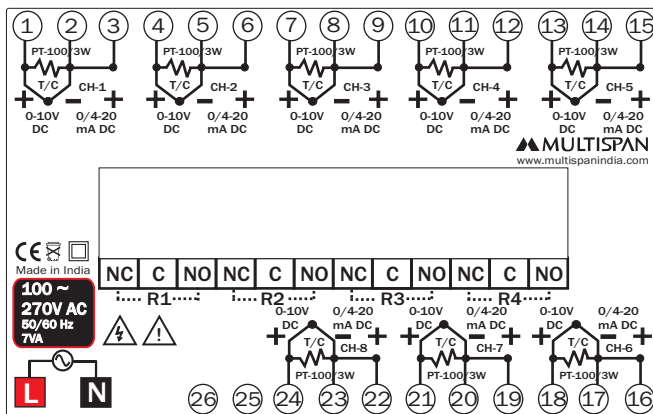
**FRONT VIEW**

All dimensions are in mm

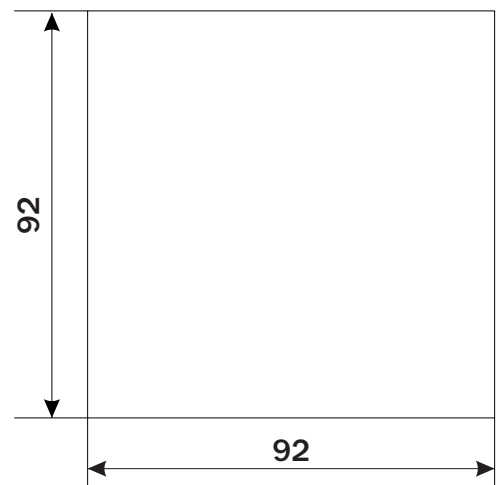


**RIGHT SIDE VIEW**


# Connection Diagram



# Panel Cutout



# TECHNICAL DATA

<b>Input</b>	<b>Thermocouple</b>	J / K
	<b>RTD</b>	PT-100 3 Wire / 2 Wire / Pt.1
	<b>Analog</b>	0-10V DC/ 0-20mA DC/ 4-20mA DC
<b>Range</b>		J: 0 to 600° C, K: 0 to 1200° C PT-100: -99° C to 400° C , PT.1: -99.0° C to 400.0° C Analog : -999 to 9999
<b>Output</b>	<b>Output 1</b>	4 Relay With Grouping Facility
<b>Power Supply</b>		100 to 270V AC (SMPS) ,50/60Hz,Approx 4VA
<b>Accuracy</b>		± 1 % FSD
<b>Certification</b>		

Input	
<b>ADC Resolution</b>	12 Bit
<b>Display Resolution</b>	Thermocouple : 1° C RTD : 1° C / 0.1° C Analog input : 0000/000.0/00.00/0.000 Decimal Point Selectable
<b>Sampling Rate</b>	250 mS / Channel
<b>Input Type</b>	Range
J	0 to 600° C
K	0 to 1200° C
PT-100	-99 to 400° C
PT.1	-99.0 to 400.0° C
4-20 mA DC	-999 to 9999
0-20 mA DC	-999 to 9999
0-10 V DC	-999 to 9999

Power Supply	
<b>Standard</b>	100 - 270V AC @ 50/60Hz
<b>Optional</b>	24V DC
<b>Consumption</b>	4VA

Relay Output	
<b>No of Relay</b>	4
<b>Type</b>	1 C/O , NO , C , NC
<b>Rating</b>	5A @ 230V AC / 30V DC

Display	
<b>Process Value</b>	Upper : 0.70" 4 Digit Red LED 7 Segment Display
<b>Channel No. and Relay Status</b>	Lower : 0.50" 4 Digit Green LED 7 Segment Display
<b>LED Indications</b>	Status of each relay and Alarm

Keys
6 controlling keys for configuration and operation

### Accuracy

J , K , PT-100 , PT.1 , 4-20mA DC , 0-20mA DC, 0-10V DC	± 1 % FSD
CJC error	±3 °C
Sensor Open	J , K ,PT-100 , PT.1
T/C Burnout current	1.10uA
RTD excitation current	0.2mA
CMRR	> 120 db ( Typical )
Input Impedance	> 1 M
Max Voltage	20V DC

### Environmental Characteristics

Working Temperature	0 to 55 °C
Storage Temperature	0 to 55 °C
Relative Humidity	95% RH Non-condensing
Ingress Protection	IP 65 (Front Side)

### Mechanical Characteristics

Mounting Type	Panel Mount
Dimension (HxWxD) mm	100 x 100 x 70
Panel Cutout (HxW) mm	92 x 92
Material	Body Enclosure
	Polycarbonate (PC) ABS
Terminal Screw Size	M3.5
Screw Torque (N.m)	1
Wire Gauge (AWG)	26-14
Weight (Approx) gms	Unpacked : 320 Packed : 375
Accessories	1 Pair of Clamps